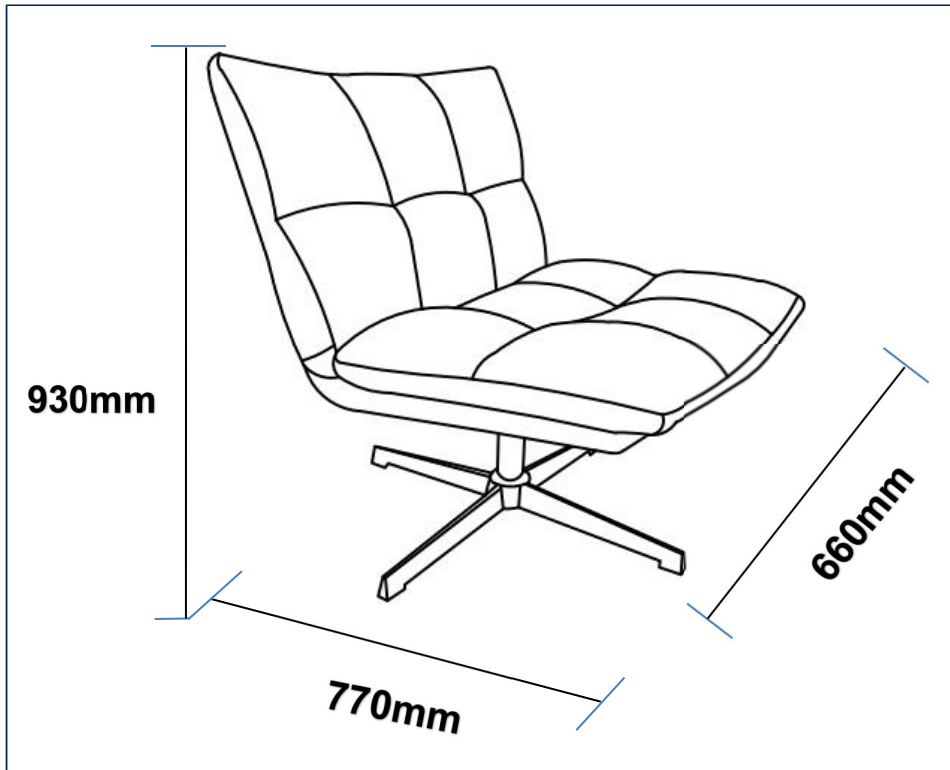


ASSEMBLY INSTRUCTION  
SILKIA SWIVEL ACCENT CHAIR  
ITEM CODE 84112

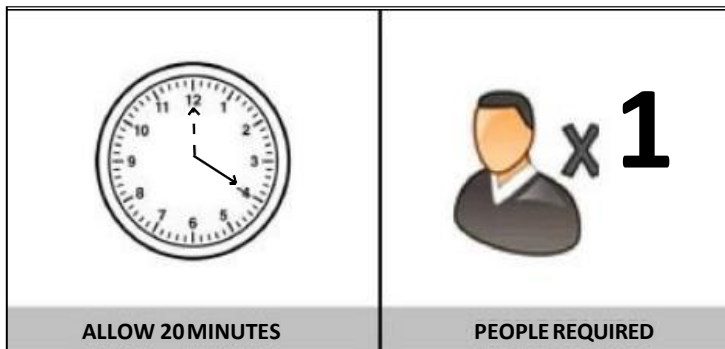


Imported by JWA Furniture Pty Ltd, Qld, Brisbane Australia.  
For any assistance with assembly or for missing parts please refer to your receipt

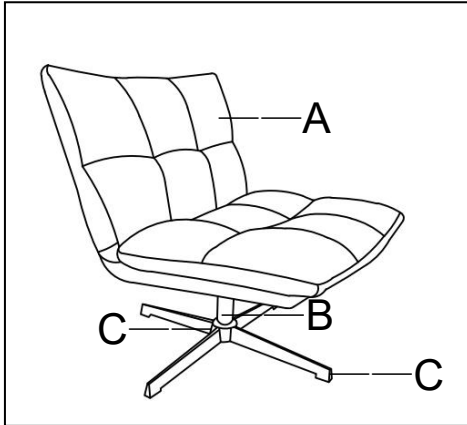
## PRE-ASSEMBLY PREPARATION

### Before you start:

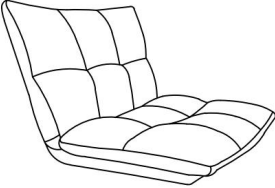

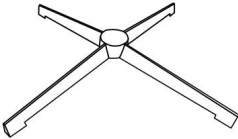

1. Choose a clean level, spacious assembly area. Avoid hard surfaces that may damage the product
2. Take care when lifting. Product should be assembled as near as possible to the point of use
3. Ensure that you have all required contents for complete assembly
4. Always read the assembly instructions carefully before beginning assembly.
5. Keep all hardware parts and packaging out of reach of small children.
6. Do not over tighten the screws and bolts as this may damage the threads



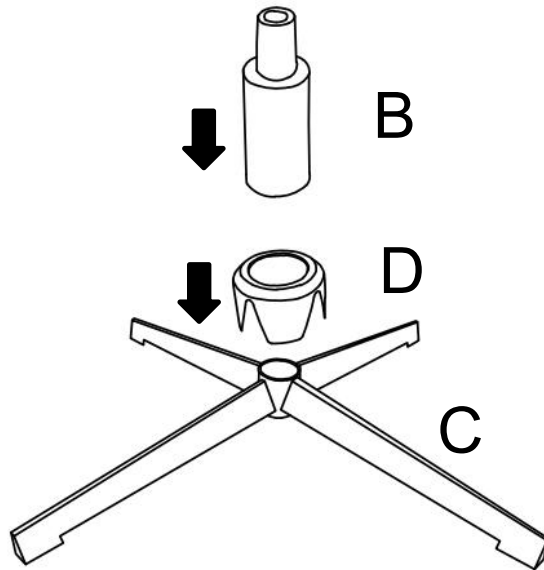
# PARTS LIST



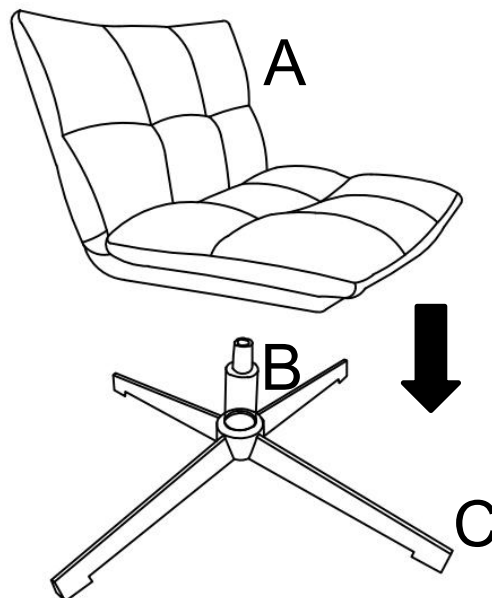
A	BACK&SEAT
B	GASLIFT
C	CASTOR
D	DUST COVER

 <p>A*1pc W66*D77*H93CM</p>	 <p>B*1pc Φ 45*50*20CM</p>	 <p>C*1pc 360#</p>	 <p>D*1pc Φ 18*5cm</p>
---	---	---	---

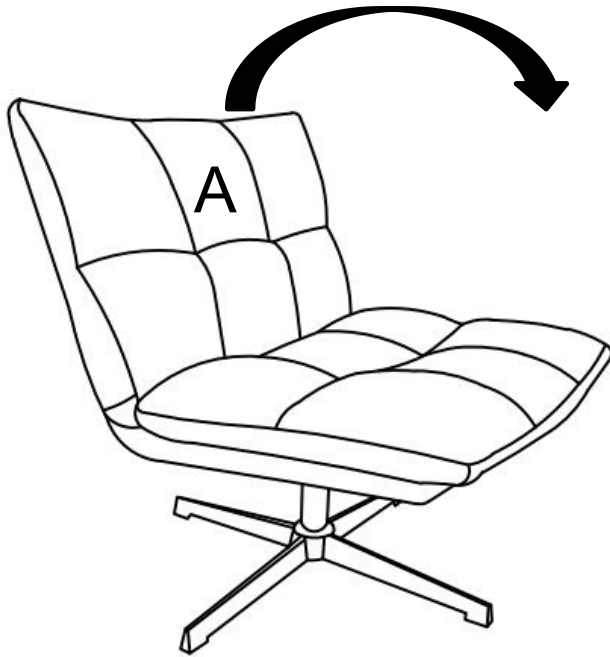
**STEP 1:** Cover dust cover D to base B, insert gaslift B to Base C, make sure both connect well.



**STEP 2:** Fix seat A to assembled gaslift B, sit on seat to give weight to make sure it fit well.



**STEP 3: The backrest is foldable to the seat.**



**ASSEMBLY IS COMPLETE**

# CARE AND MAINTENANCE

## **REGULAR CARE:**

- Protect from direct sunlight
- Vacuum regularly using low suction
- Rotate reversible cushions regularly
- Avoid exposure to new clothing, cushions or throws as this may lead to dye transfer and permanent staining

## **CLEANING:**

- Do not remove cushion covers for separate cleaning even though they may have zippers
- Do not wash, Do not dry clean, Do not shampoo clean
- Clean only with hot water extraction machine. Professional cleaning recommended
- Do not use dish washing liquid or laundry detergent. Use only upholstery detergents
- Do not wet filling
- Dry in shade away from direct heat and sunlight
- Allow to dry thoroughly before re-use

## **SPOT CLEANING:**

- Do not rub
- Do not spot clean with any solvent
- Treat spills and stains as soon as possible
- Gently scrape off any soil or blot any liquid from the surface of the fabric before applying cleaner
- Apply proprietary cleaning agents strictly according to instructions to remove the residue of the spill
- Do not saturate the fabric or interior with water or other cleaning liquids

## **WARNING:**

Apply only water-based soil resist (fabric protection) treatments. Do not use aerosol products

\* PILLING IS NOT A FABRIC DEFECT OR FAULT AND IS NOT COVERED BY WARRANTY

\* PILLING IS A NORMAL OCCURRENCE CAUSED BY WEAR AND TEAR AND DOES NOT AFFECT THE DURABILITY OR FUNCTIONALITY OF THE FABRIC AND IS EASILY REMOVED

### **Do not:**

- Use this product as a step stool or ladder
- Failure to follow this warning could result in injury